

Plus

Welche Zahl bleibt übrig?

$11 + 5 =$

$10 + 5 =$

$8 + 7 =$

$18 + 2 =$

$6 + 4 =$

$7 + 7 =$

$8 + 5 =$

$8 + 8 =$

$11 + 3 =$

$6 + 10 =$

$14 + 6 =$

$2 + 9 =$

$12 + 3 =$

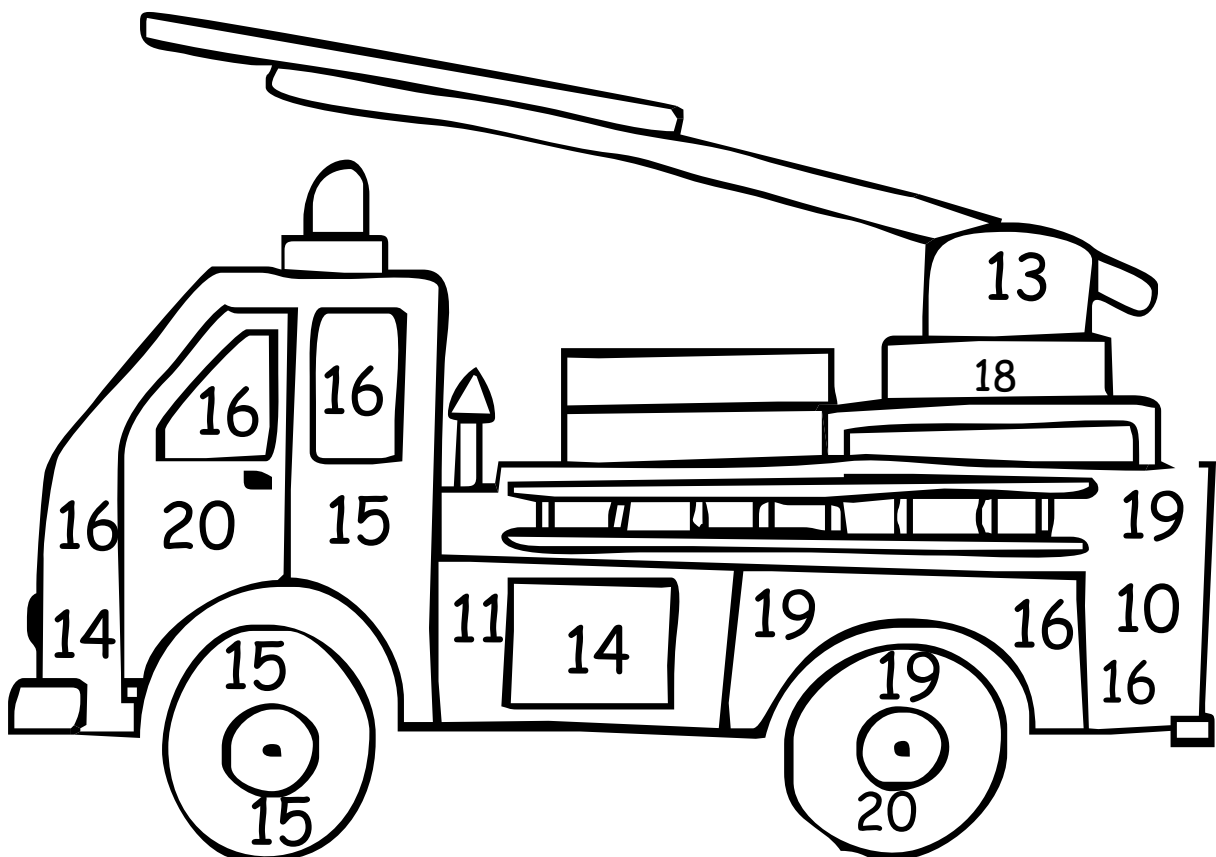
$11 + 8 =$

$17 + 2 =$

$15 + 3 =$

$8 + 8 =$

$18 + 1 =$



Name: _____